

## FIREPLACE KIT SYSTEM FROM BRUNNER



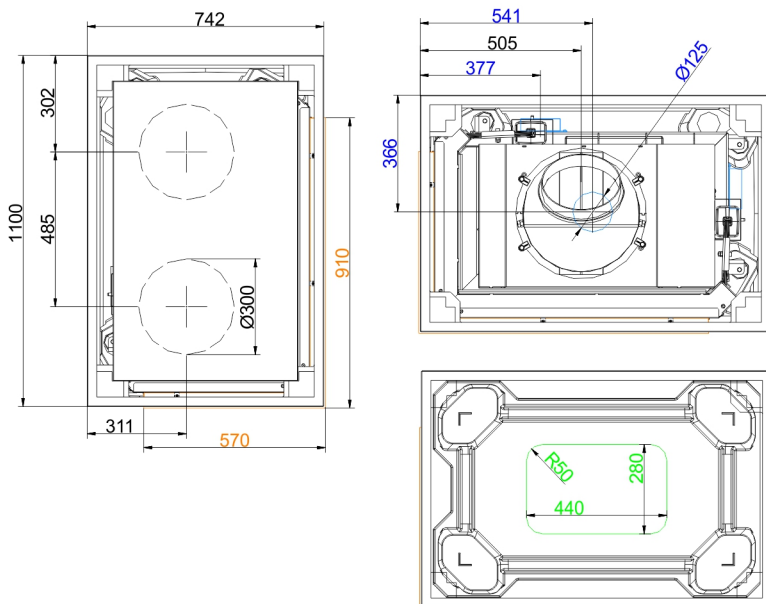
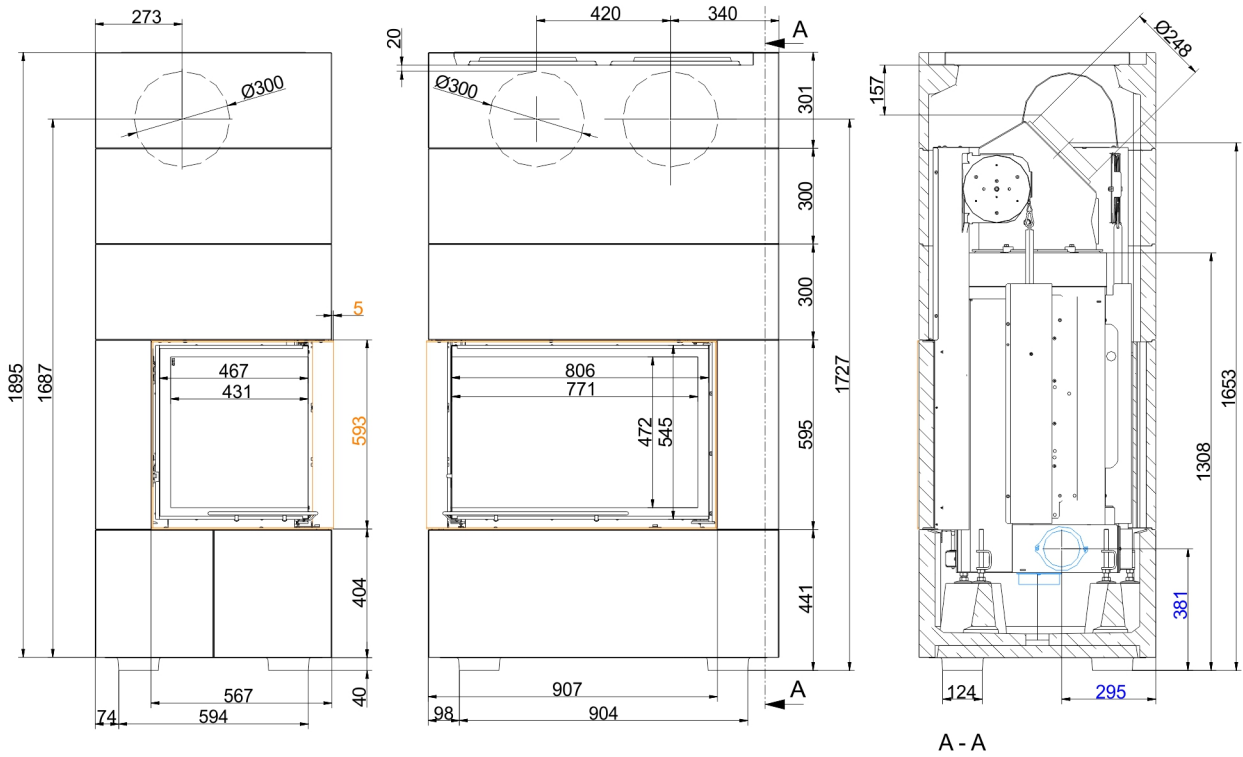
### **BSK 03 with Eck-Kamin 57/82/48**

State: 2018-02-27



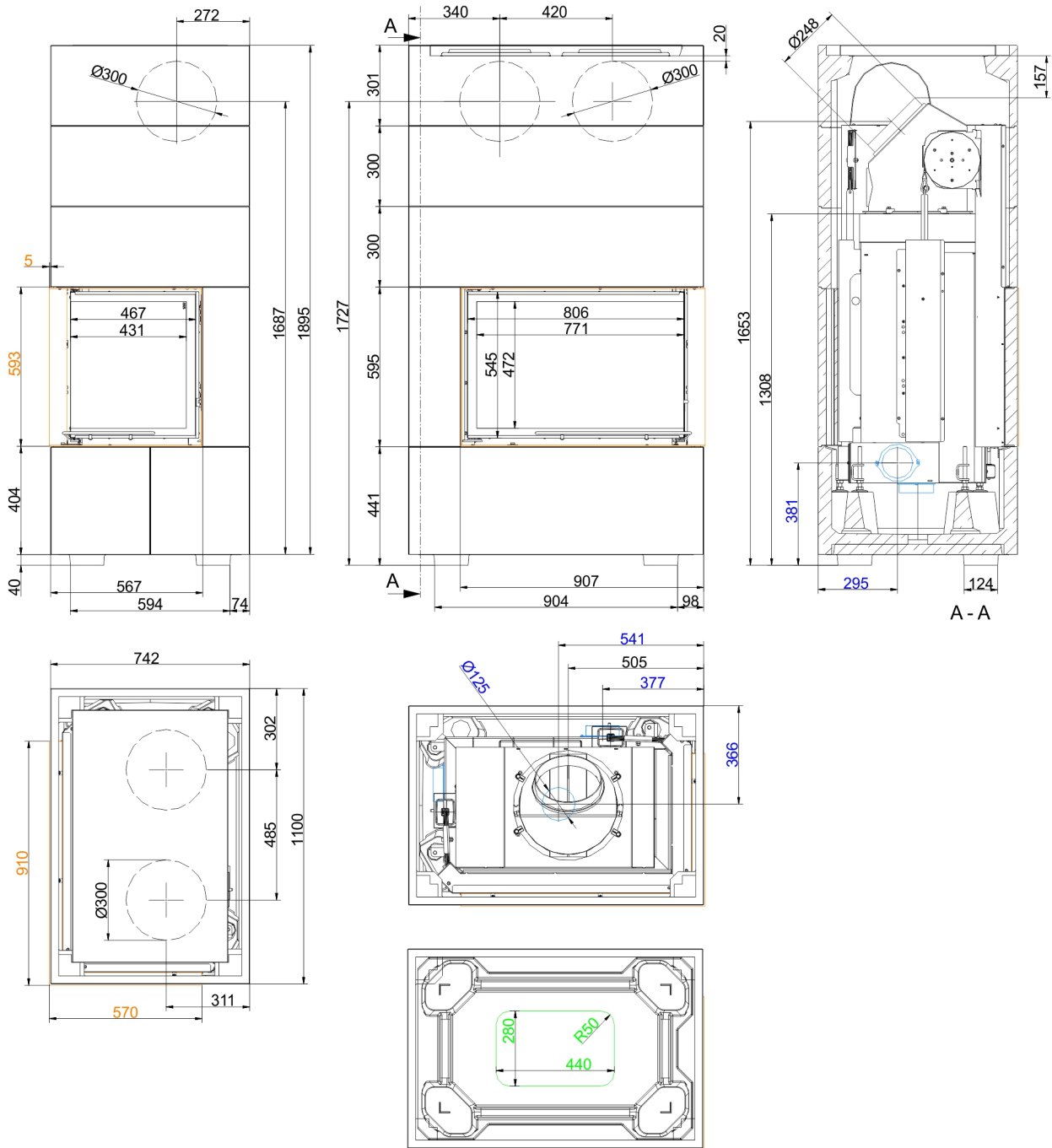
**BRUNNER**<sup>®</sup>  
*made in germany.*

# Dimension sheets - BSK 03 with Eck-Kamin 57/82/48



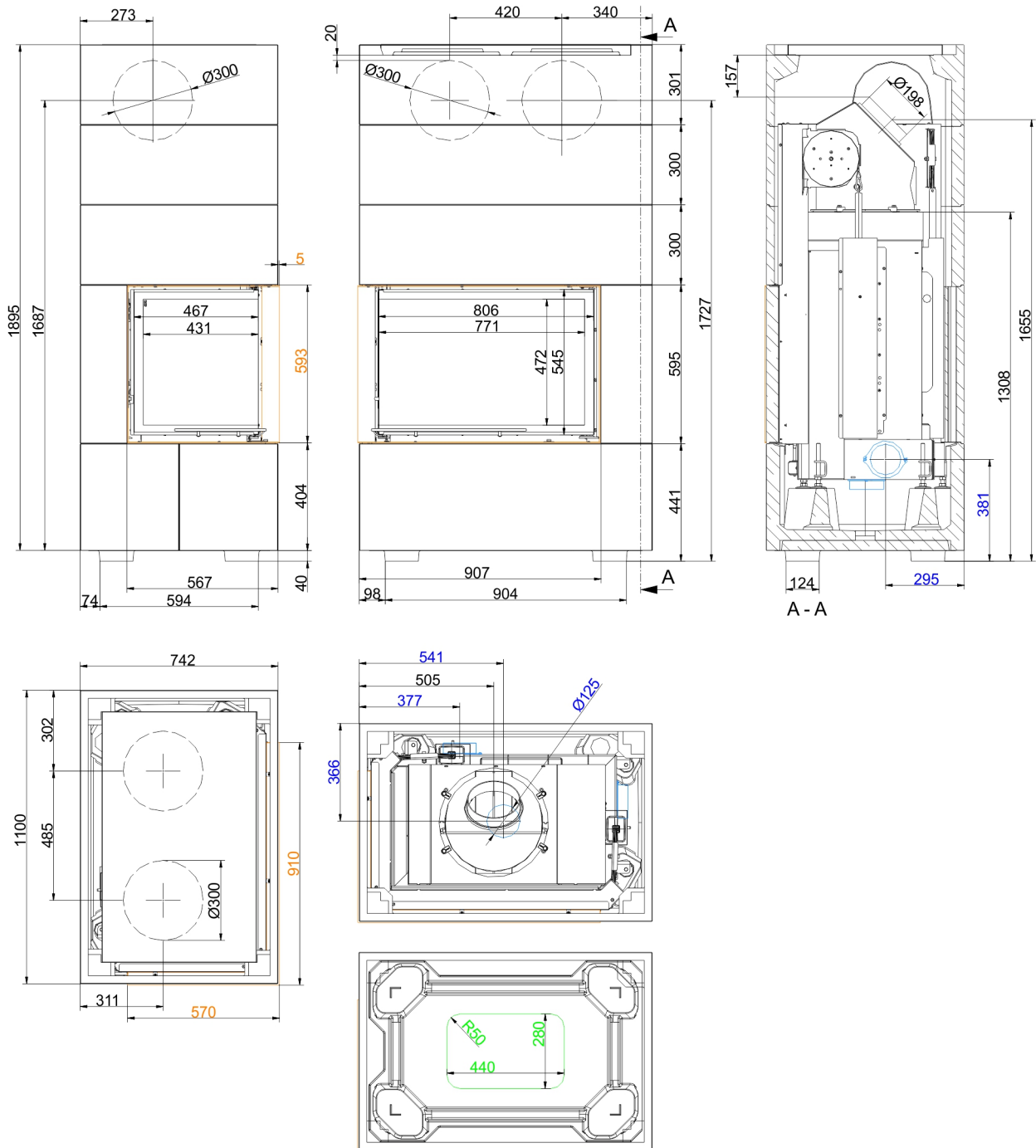
... left, steel smoke hood D=250mm

# Dimension sheets - BSK 03 with Eck-Kamin 57/82/48



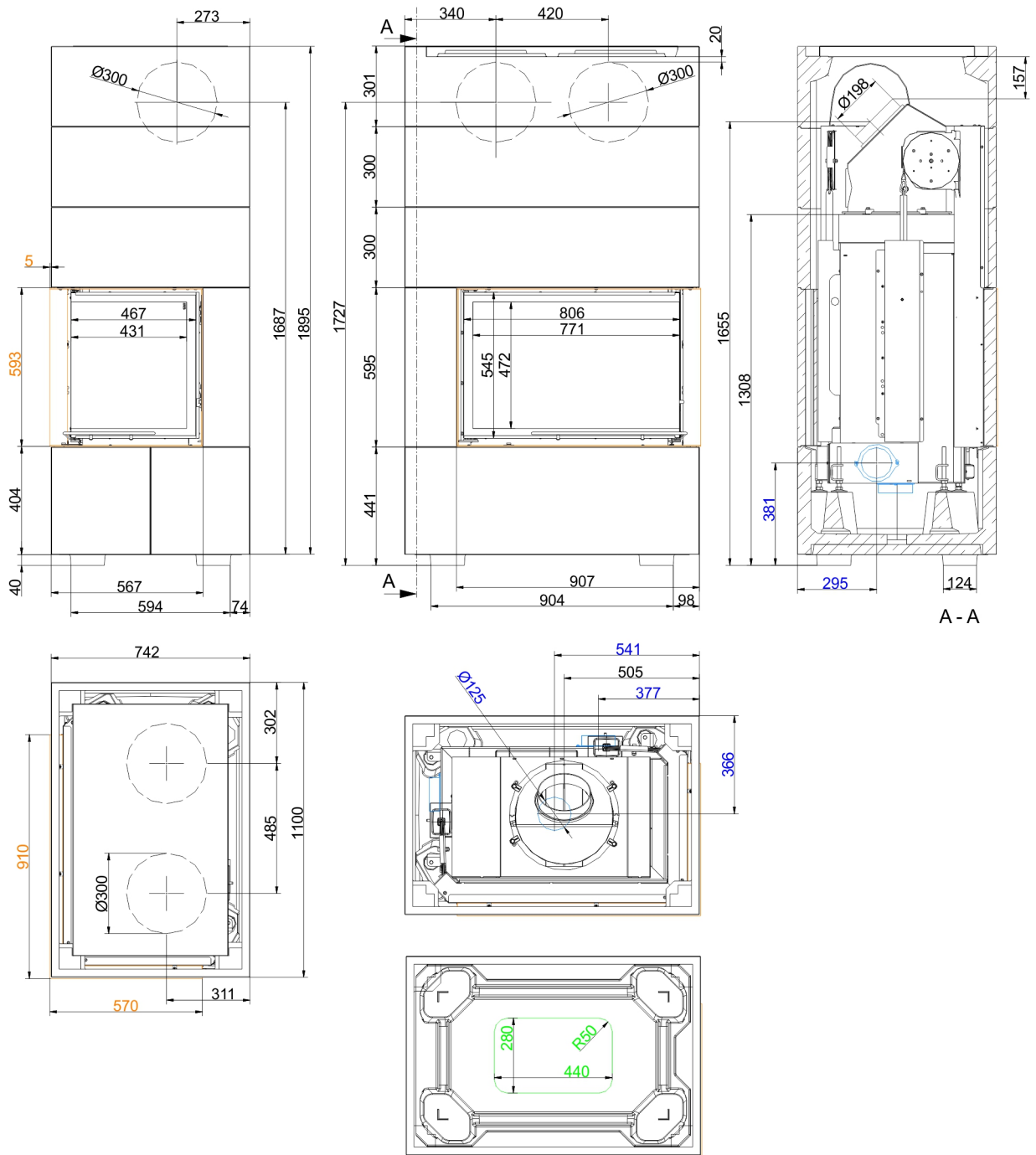
... right, steel smoke hood D=250mm

# Dimension sheets - BSK 03 with Eck-Kamin 57/82/48



... left, steel smoke hood D=200mm

# Dimension sheets - BSK 03 with Eck-Kamin 57/82/48



... right, steel smoke hood D=200mm

We suggest for CAD planing Palette CAD. Permanent updated drawings: [www.brunner.de](http://www.brunner.de)  
 Frames / front versions are marked colored.

## Planning and installation - BSK 03 with Eck-Kamin 57/82/48

Tested according to		EN 13229
<b>Data for functional demonstration</b>		
Rated heat power	kW	12
Fire wood volume	kg/h	3.6
Flue gas mass flow	g/s	11
Flue gas temperature	g/s	195
Necessary supply pressure <sup>1)</sup>	Pa	12
Combustion air consumption	m <sup>3</sup> /h	32
Combustion air connection Ø	mm	125
<b>Cladding components</b>		
Foot print (W x D)	mm	1100 x 742
Overall height	mm	1936
Height of extension ring	mm	300
<b>Minimal distances</b>		
to mounting wall	cm	5
to mounting wall with heat protection panels	cm	0
to combustible mounting wall	cm	10
to combustible mounting wall with heat protection panels	cm	5
from top of fireplace to ceiling	cm	50
<b>Cross-section of gratings <sup>2)</sup></b>		
Convection air	cm <sup>2</sup>	1330
Supply air	cm <sup>2</sup>	1200
<b>Thermal insulation without / with air gratings</b>		
In ceiling region connection without/with air grate	cm	19 / 14
<b>Weight</b>		
Total weight	kg	768
<b>Meets requirement/limit values for:</b>		
Germany/ Austria / Suisse / Norway		1.BImSchV (Stufe 2) / 15a BVG (2015) / LRV / NS 3059

1) Damper flap recommended

2) Openings for the air