

# TILED STOVE KIT SYSTEM FROM BRUNNER



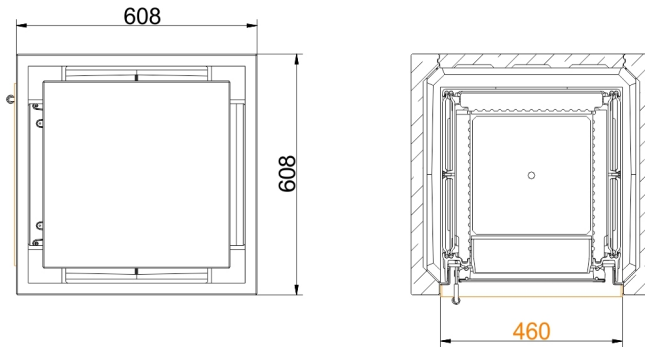
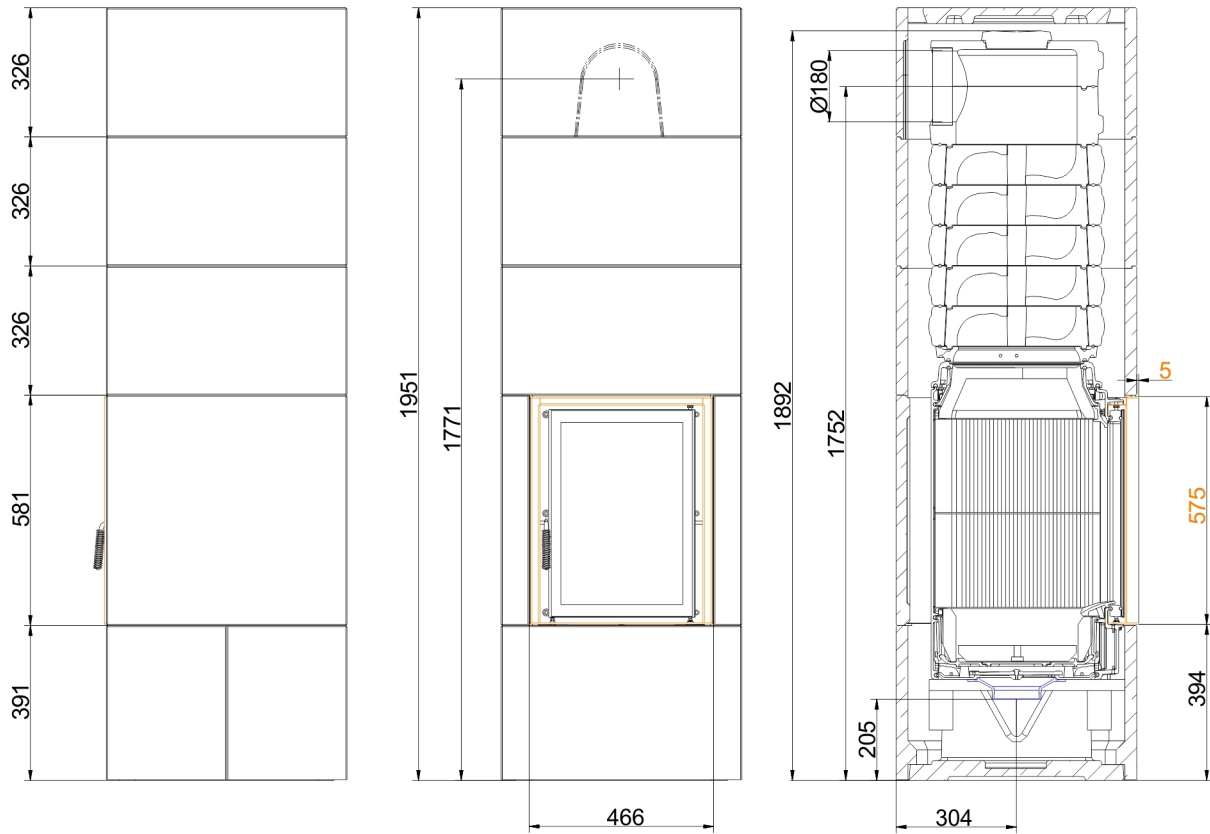
## BSO 02 with HKD 2.2

State: 2018-04-30



**BRUNNER**<sup>®</sup>  
*made in germany.*

# Dimension sheets - BSO 02 with HKD 2.2



We suggest for CAD planing Palette CAD. Permanent updated drawings: [www.brunner.de](http://www.brunner.de)  
 Frames / front versions are marked colored.

## Planning and installation - BSO 02 with HKD 2.2

Tested according to		EN 13229
<b>Data for functional demonstration</b>		
Rated heat power	kW	9
Fire wood volume	kg/h	2.5
Flue gas mass flow	g/s	10
Flue gas temperature	°C	220
Necessary supply pressure <sup>1)</sup>	Pa	12
Combustion air consumption	m <sup>3</sup> /h	25
Combustion air connection Ø	mm	125
<b>Cladding components</b>		
Foot print (W x D)	mm	608 x 608
Overall height	mm	1950
Height of extension ring	mm	326
<b>Minimal distances</b>		
to mounting wall	cm	5
to mounting wall with heat protection panels	cm	0
to combustible mounting wall	cm	10
to combustible mounting wall with heat protection panels	cm	5
from top of fireplace to ceiling	cm	40
<b>Cross-section of gratings</b>		
Convection air <sup>2)</sup>	cm <sup>2</sup>	215
Supply air <sup>3)</sup>	cm <sup>2</sup>	400
<b>Thermal insulation without / with air gratings</b>		
In ceiling region connection without/with air grate	cm	22 / 16
<b>Weight</b>		
Total weight	kg	674
<b>Meets requirement/limit values for:</b>		
Germany/ Austria / Suisse / Norway		1.BImSchV (Stufe 2) / 15a BVG (2015) / LRV / -

- 1) Damper flap recommended
- 2) Openings for the air
- 3) The opening for the air inlet must be made on site in the base.