

FIREPLACE INSERTS FROM BRUNNER



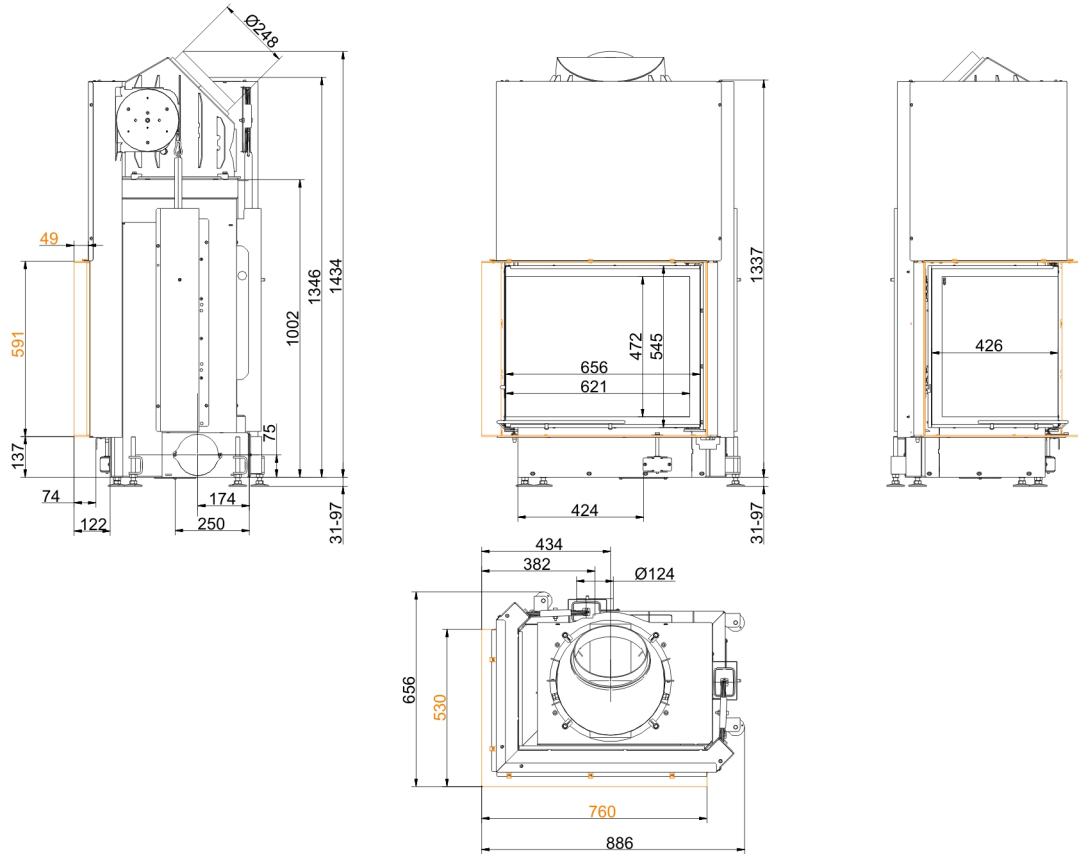
Eck-Kamin 57/67/44 lifting door (easy-lift)

State: 2018-05-03

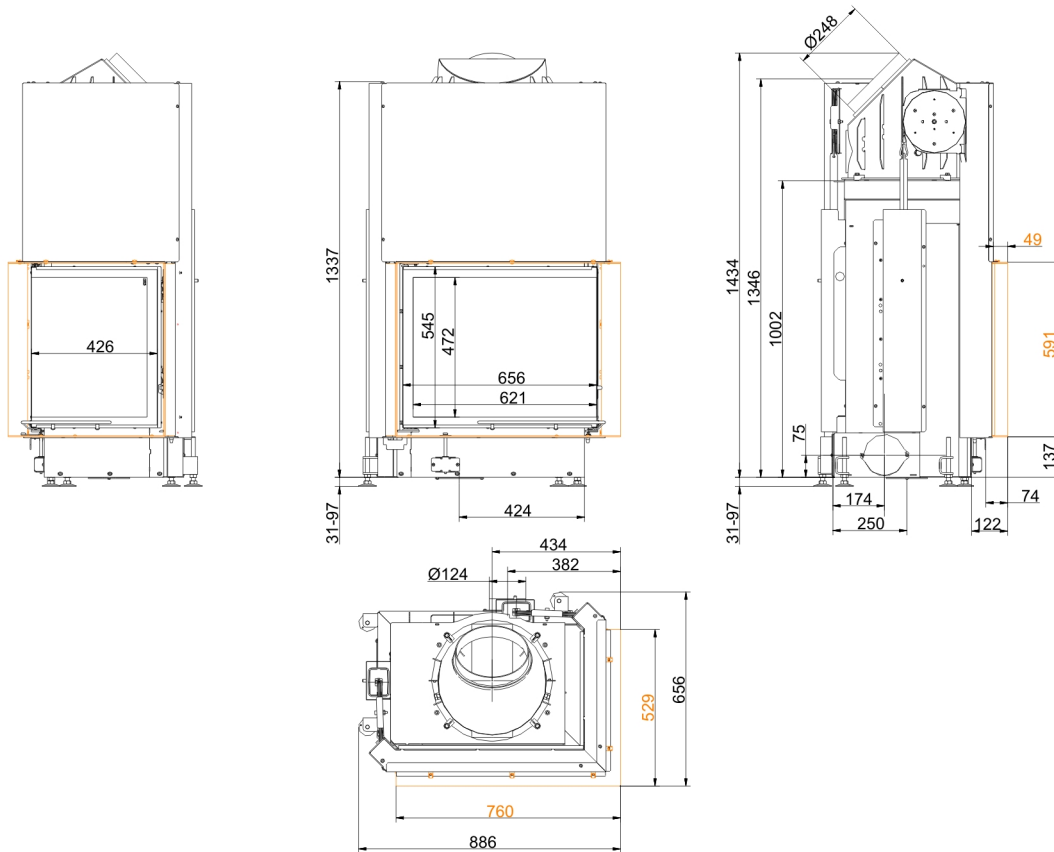


BRUNNER[®]
made in germany.

Dimension sheets - Eck-Kamin 57/67/44 lifting door (easy-lift)

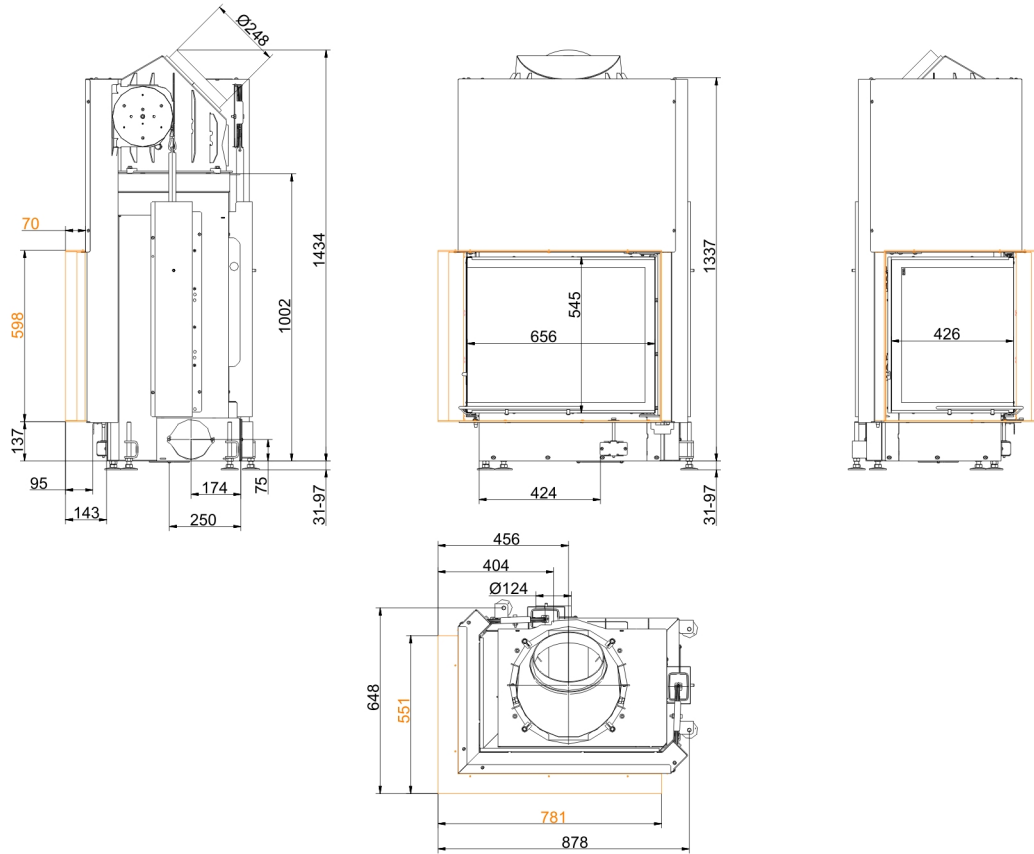


... left with mounting frame 50 mm

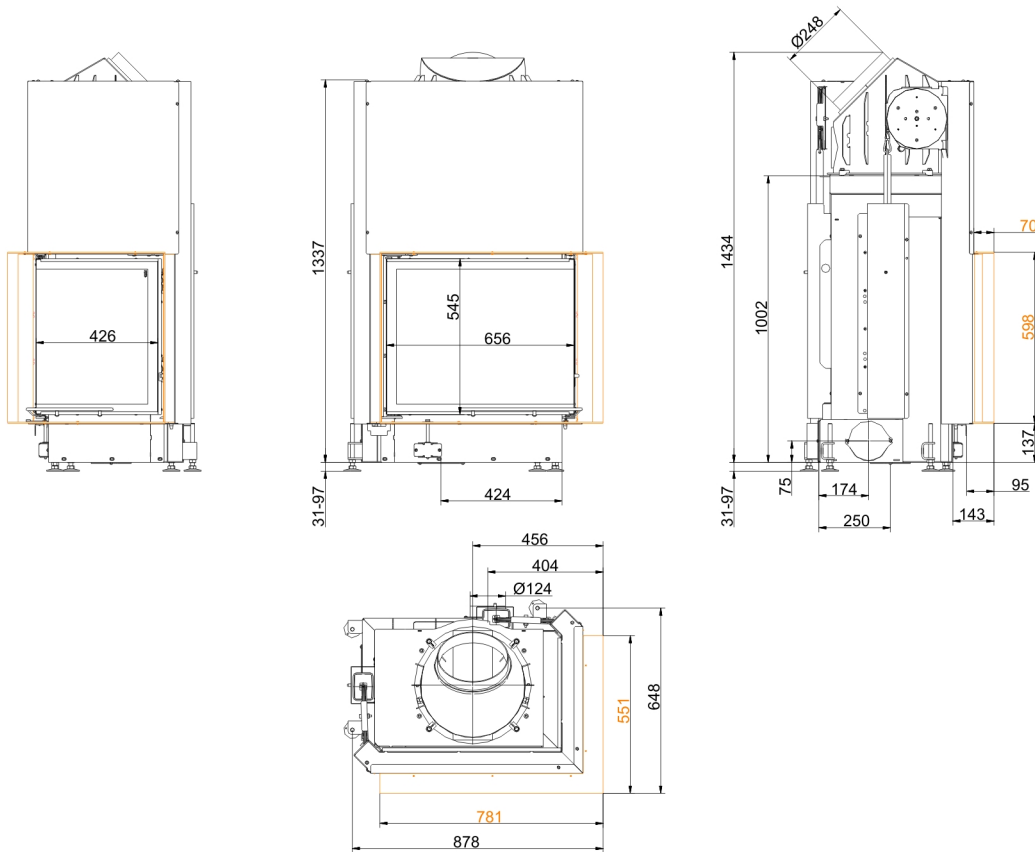


... right with mounting frame 50 mm

Dimension sheets - Eck-Kamin 57/67/44 lifting door (easy-lift)

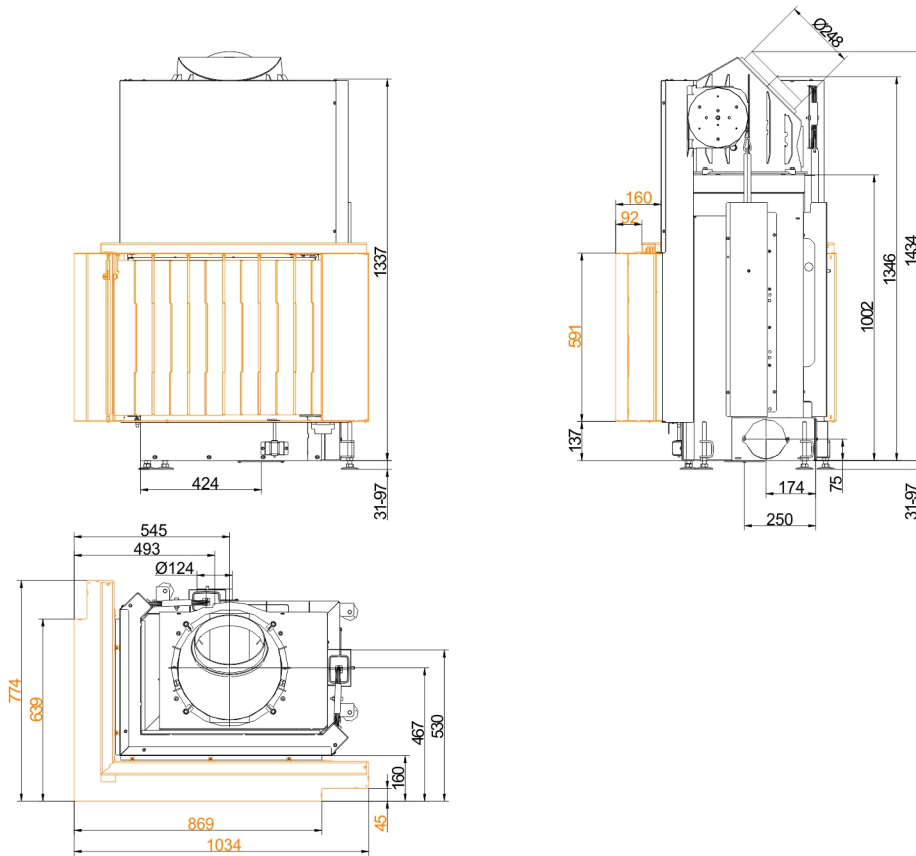


... left with mounting frame 70 mm

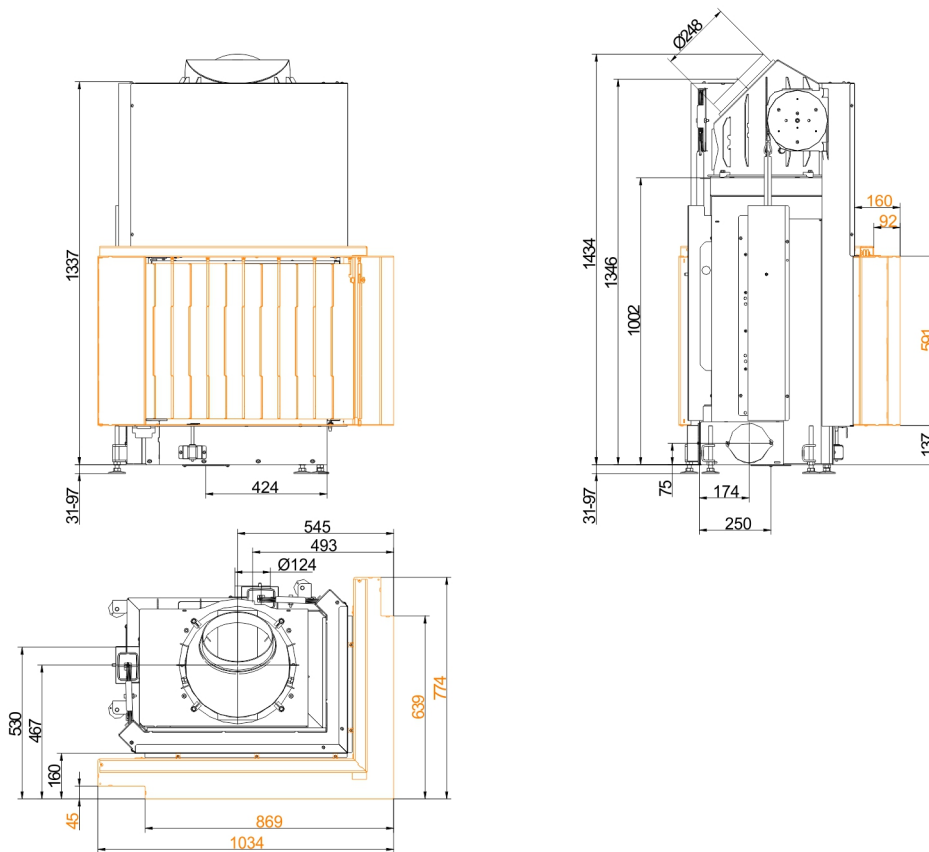


... right with mounting frame 70 mm

Dimension sheets - Eck-Kamin 57/67/44 lifting door (easy-lift)



... with heatSTOP®



... with heatSTOP®

We suggest for CAD planing Palette CAD. Permanent updated drawings: www.brunner.de
 Frames / front versions are marked colored.

Planning and installation - Eck-Kamin 57/67/44 lifting door (easy-lift)

| Tested according to | | EN 13229 W | EN 13229 WA | EN 13229 W |
|---|-------------------|---|---------------------|------------|
| Values measured at | | Rated capacity | Accumulation | Open |
| Suitable for all construction types according to rules | | OK | OK | OK |
| EEl | | 105.7 | 105.7 | 105.7 |
| Data for functional demonstration | | | | |
| Rated heat power | kW | 11 | - | - |
| Fire wood volume | kg/h | 3.2 | 5 | 3.2 |
| Combustion performance | kW | 14 | 22 | 14 |
| Flue gas mass flow | g/s | 13 | 19 | 86 |
| Outlet temperature (before heating surface) | °C | - | 330 | - |
| Flue gas temperature after: | | | | |
| attached steel smoke hood | °C | 225 | 255 | 115 |
| 1 x adjoining cast iron radiator (GNF 8/10) | °C | - | 151 | - |
| 6 x accumulation rings (MAS) ¹⁾ | °C | - | 220 | - |
| 2 m ceramic accumulator | °C | - | 180 | - |
| 1,4 m accumulation stones (MSS) ²⁾ | °C | - | 180 | - |
| Necessary supply pressure | Pa | 13 | 15 | 9 |
| Combustion air consumption | m ³ /h | 32 | 50 | 210 |
| Combustion air connection Ø | mm | 125 | 125 | - |
| Heat distribution | | | | |
| Insert / heat accumulator | % | 25 / 30 | 25 / 30 | - |
| Glass pane (single / double) | % | 45 / - | 45 / - | - |
| Cross-section of gratings ³⁾ | | | | |
| Convection air | cm ² | 650 / 100 / 350 | 650 / 100 / 350 | - |
| Supply air | cm ² | 650 / 100 / 350 | 650 / 100 / 350 | - |
| Minimal oven surface for closed construction type | | | | |
| Heat dissipating surface | m ² | 4.5 | 4.5 | - |
| Min. distances of fireplace without / with convection casing | | | | |
| to insulation layer | cm | 8 | 8 | 8 |
| to mounting floor | cm | 15 | 15 | 15 |
| Thermal insulation without / with air gratings ⁴⁾ | | | | |
| Mounting wall | cm | 14 / 10 | 14 / 10 | 14 / 10 |
| Floor | cm | 2 / 2 | 2 / 2 | 2 / 2 |
| Ceiling | cm | 19 / 14 | 19 / 14 | 19 / 14 |
| Brick lining for combustible wall | cm | 10 | 10 | 10 |
| Weight | | | | |
| Fireplace / combustion chamber | kg | 213 / 66 / - | | |
| Meets requirement/limit values for: | | | | |
| Germany/ Austria / Suisse / Norway | | 1.BImSchV (Stufe 2) / 15a BVG (2015) / LRV / NS 3059 | - / - / - / NS 3059 | |

1) Damper flap recommended

2) Approximate value. Proof of function provided by calculation required

3) for fireplace inserts / flue gas pipe / metallic reheating surface

4) Values determined with upper air sections; stove cladding is heat emitting.

Ulrich Brunner GmbH
Zellhuber Ring 17 - 18
D-84307 Eggenfeldern
Telefonat: +49 / (0)87 21 / 7 71-0
Telefax: +49 / (0)87 21 / 7 71-100
info@brunner.de | www.brunner.de

BRUNNER®
made in germany.