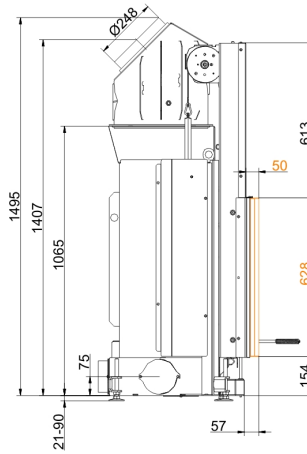
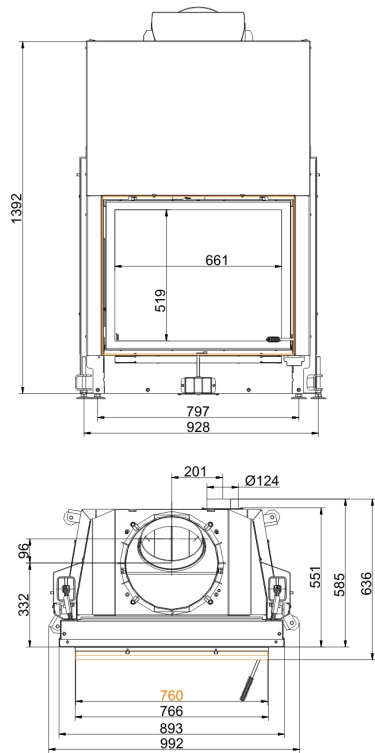
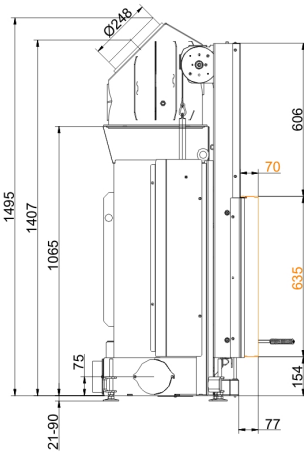
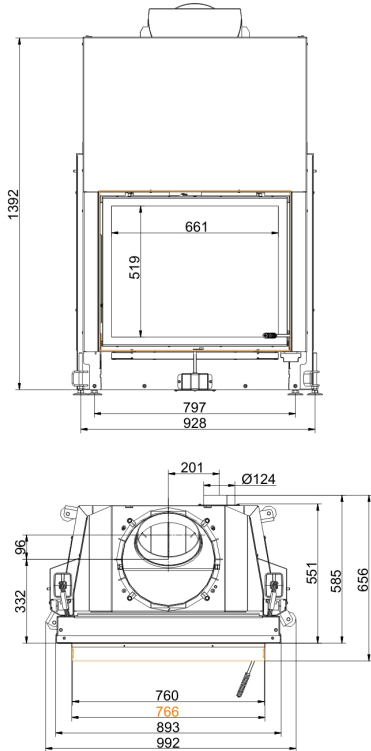


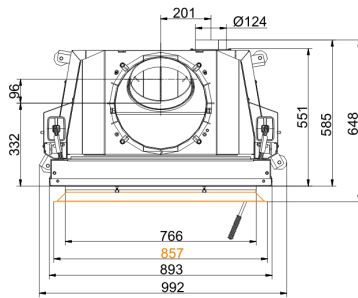
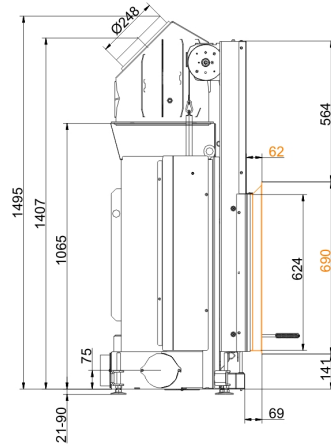
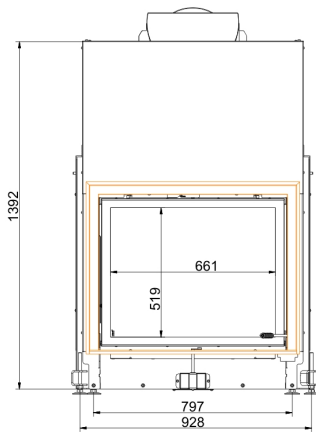
Dimension sheets - Stil-Kamin 62/76 lifting door (easy-lift)



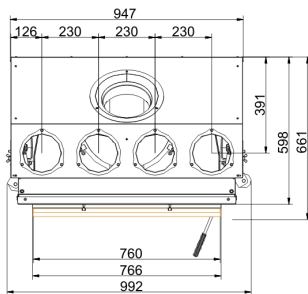
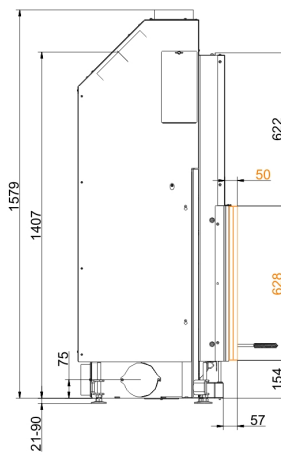
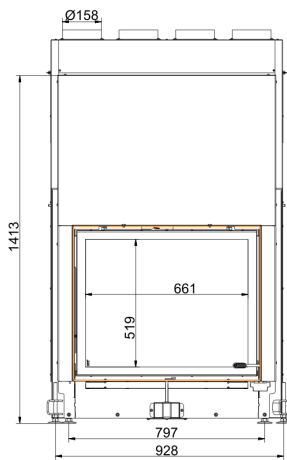
... with mounting frame 50 mm



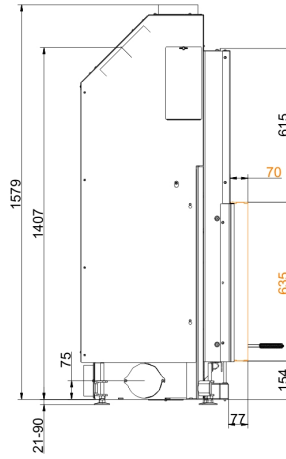
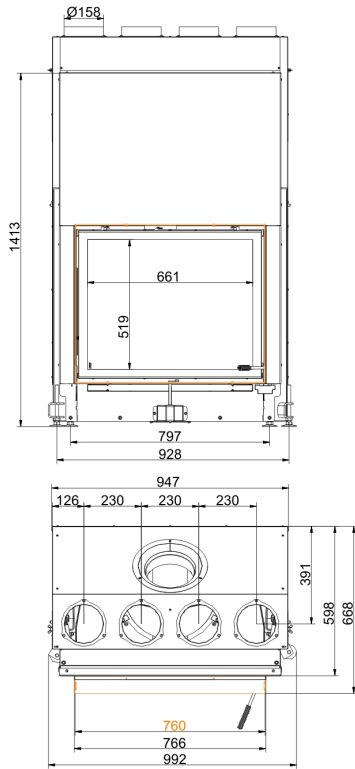
... with mounting frame 70 mm



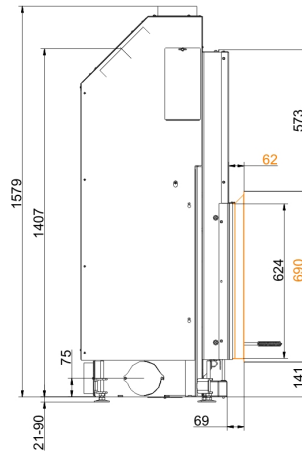
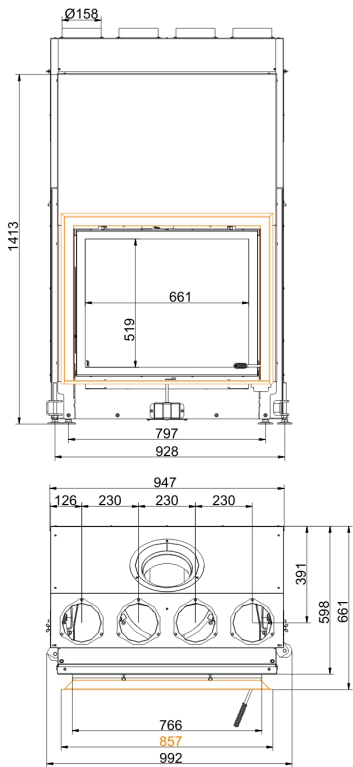
... with door frame



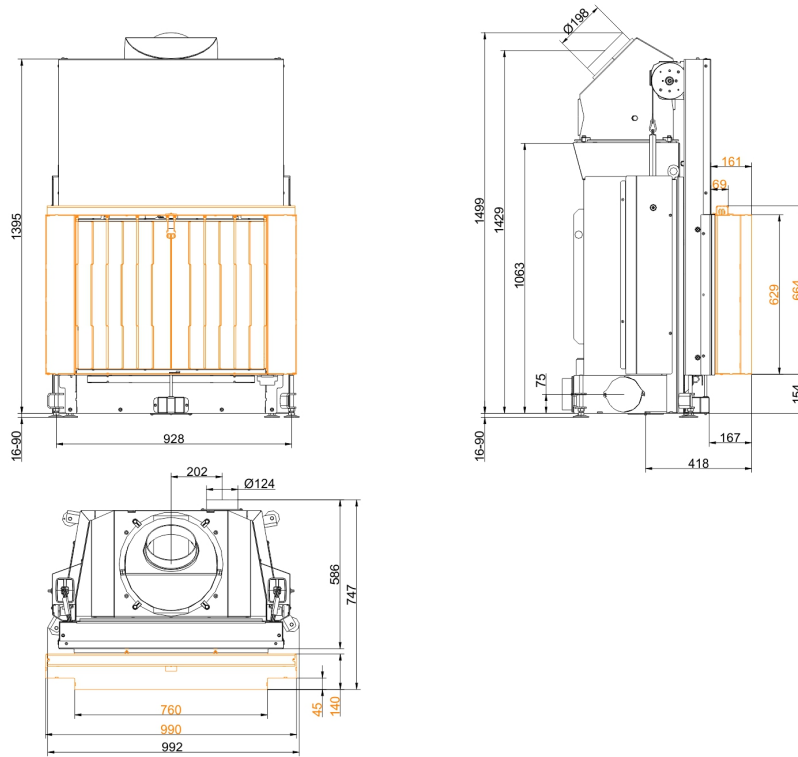
... with mounting frame 50 mm and convection cladding



... with mounting frame 70 mm and convection cladding



... with frame and convection cladding



... with heatSTOP®

We suggest for CAD planing Palette CAD. Permanent updated drawings: www.brunner.de
 Frames / front versions are marked colored.

Tested according to		EN 13229 W	EN 13229 W
Values measured at		Rated capacity	Open
Suitable for all construction types according to rules		OK	OK
EEl		105.7	105.7
Data for functional demonstration			
Rated heat power	kW	10.5	-
Fire wood volume	kg/h	3.2	3
Combustion performance	kW	13	13
Flue gas mass flow	g/s	10	70
Outlet temperature (before heating surface)	°C	325	-
Flue gas temperature after:			
attached steel smoke hood	°C	200	120
6 x accumulation rings (MAS) ¹⁾	°C	205	-
Necessary supply pressure	Pa	12	6
Combustion air consumption	m ³ /h	35	180
Combustion air connection Ø	mm	125	-
Heat distribution			
Insert / heat accumulator	%	60 / -	-
Glass pane (single / double)	%	40 / -	-
Cross-section of gratings ²⁾			
Supply air	cm ²	900 / 100 / -	-
Warm air	cm ²	900 / 100 / -	-
Minimal oven surface for closed construction type			
Heat dissipating surface	m ²	4.5	-
Min. distances of fireplace without / with convection casing			
to insulation layer	cm	8 / 3	8 / 3
to mounting floor	cm	2 / 2	2 / 2
Thermal insulation without / with air gratings ³⁾			
Mounting wall	cm	18 / 14	18 / 14
Floor	cm	4 / 2	4 / 2
Ceiling	cm	22 / 16	22 / 16
Brick lining for combustible wall	cm	10	10
Weight			
Fireplace / combustion chamber	kg	205 / 97	
Meets requirement/limit values for:			
Germany/ Austria / Suisse / Norway		1.BImSchV (Stufe 2) / 15a BVG (2015) / LRV / NS 3059	

1) Damper flap recommended

2) for fireplace inserts / flue gas pipe / metallic reheating surface

3) Values determined with upper air sections; stove cladding is heat emitting.