

## FIREPLACE INSERTS FROM BRUNNER



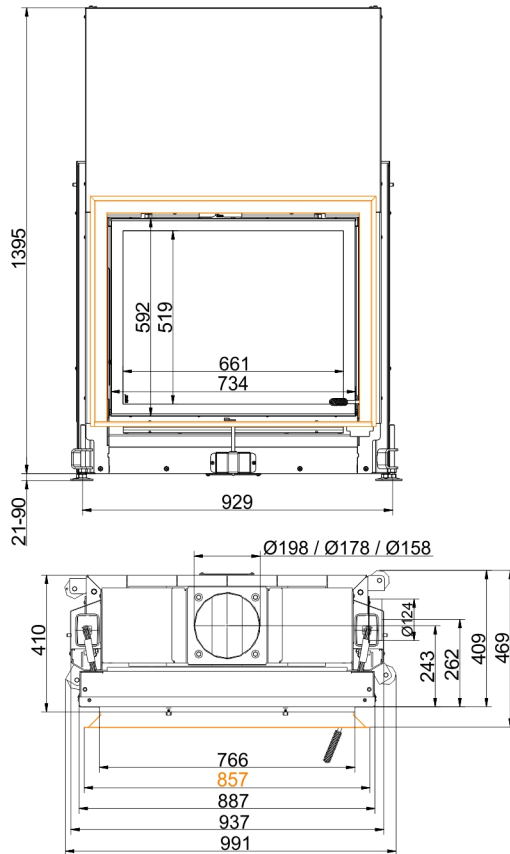
### **Stil-Kamin 62/76 k** lifting door (easy-lift)

State: 2018-04-30

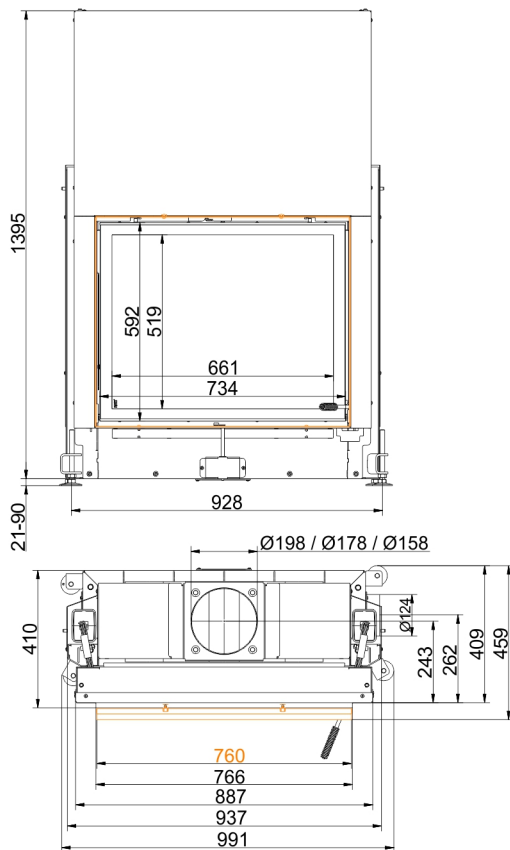


**BRUNNER**<sup>®</sup>  
*made in germany.*

# Dimension sheets - Stil-Kamin 62/76 k lifting door (easy-lift)

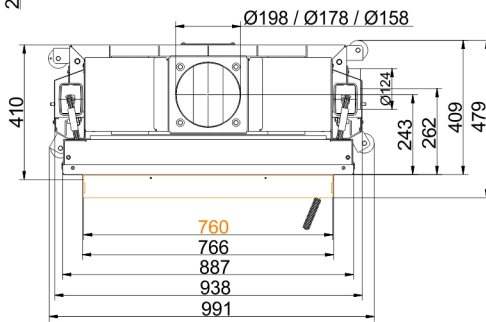
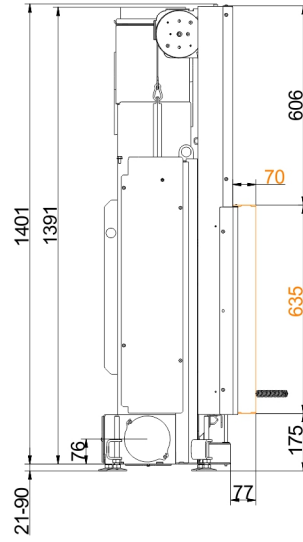
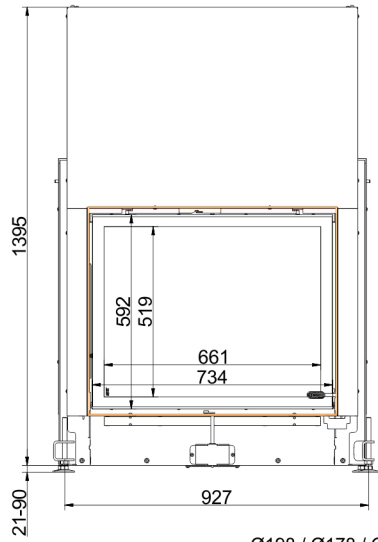


... with door frame

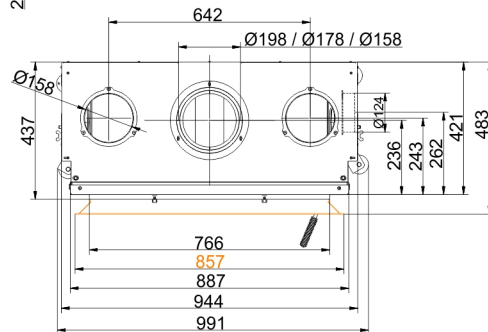
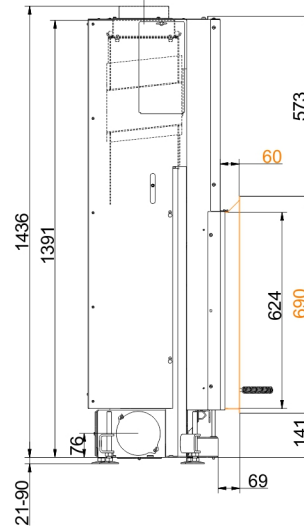
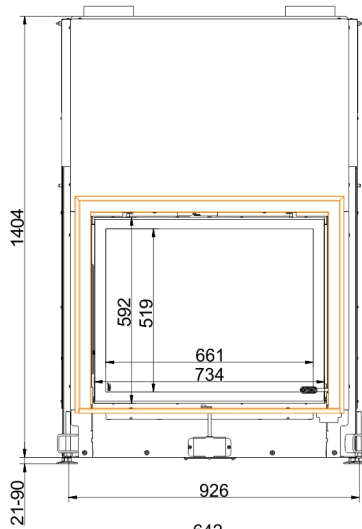


... with mounting frame 50 mm

# Dimension sheets - Stil-Kamin 62/76 k lifting door (easy-lift)

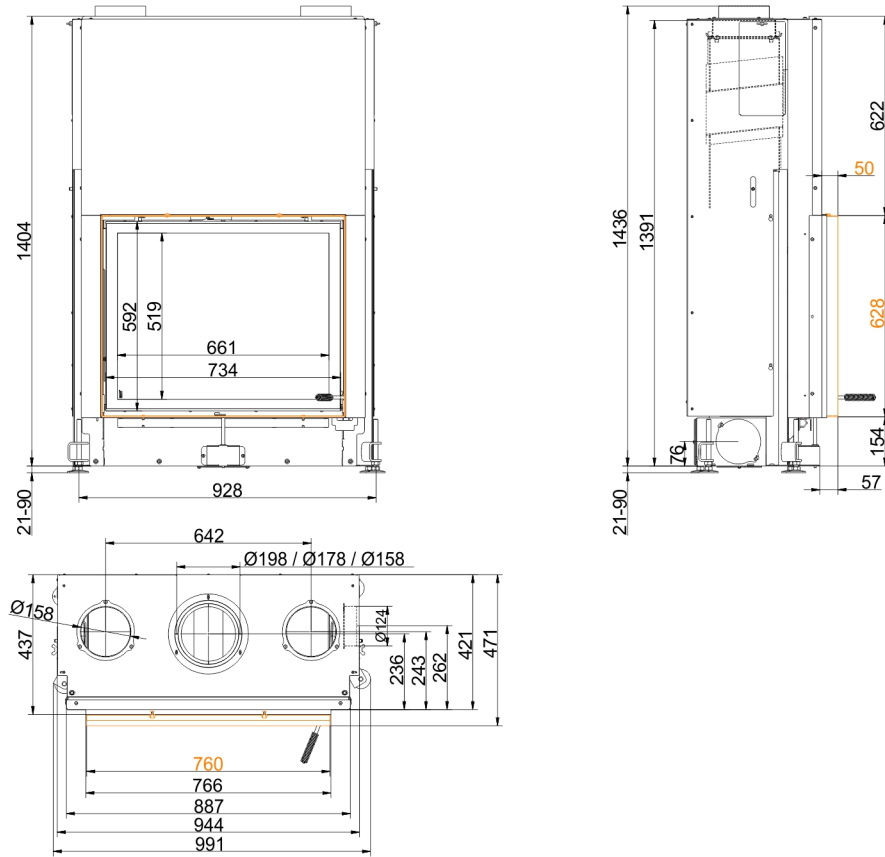


... with mounting frame 70 mm

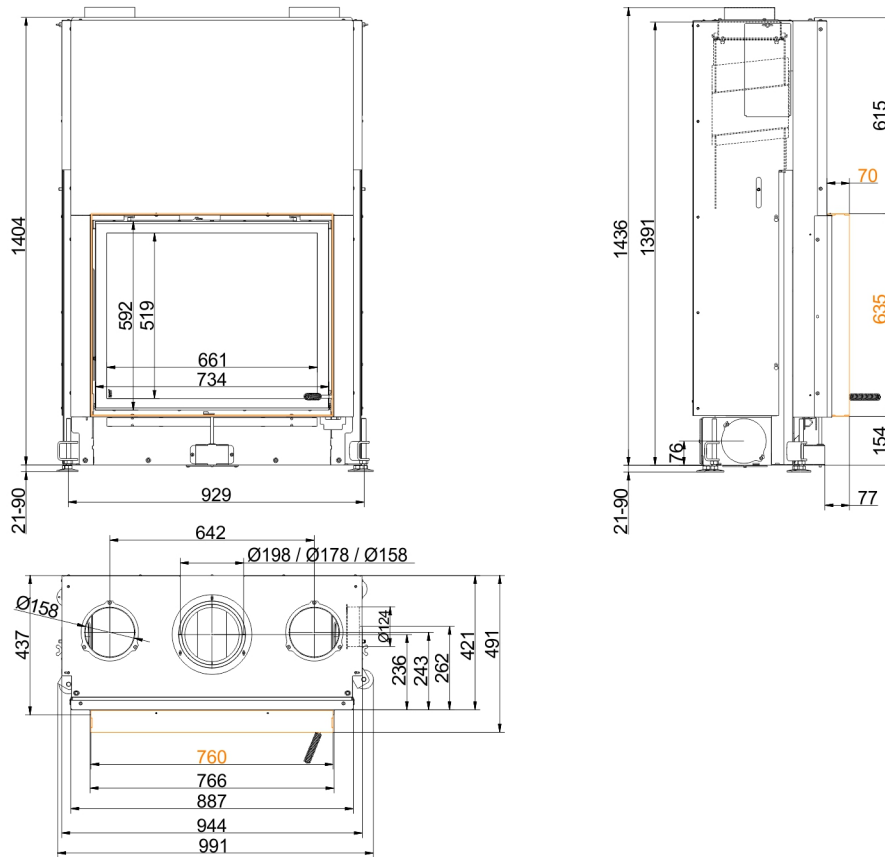


... with frame and convection cladding

# Dimension sheets - Stil-Kamin 62/76 k lifting door (easy-lift)



... with mounting frame 50 mm and convection cladding



... with mounting frame 70 mm and convection cladding

We suggest for CAD planing Palette CAD. Permanent updated drawings: [www.brunner.de](http://www.brunner.de)  
 Frames / front versions are marked colored.

## Planning and installation - Stil-Kamin 62/76 k lifting door (easy-lift)

Tested according to		EN 13229 W	EN 13229 W
Values measured at		Rated capacity	Open
Suitable for all construction types according to rules		OK	OK
EEl		105.6	105.6
<b>Data for functional demonstration</b>			
Rated heat power	kW	9	-
Fire wood volume	kg/h	2.8	3
Combustion performance	kW	11	11
Flue gas mass flow	g/s	10	65
Outlet temperature (before heating surface)	°C	325	-
Flue gas temperature after:			
attached steel smoke hood	°C	180	120
Necessary supply pressure	Pa	13	6
Combustion air consumption	m <sup>3</sup> /h	30	180
Combustion air connection Ø	mm	125	-
<b>Heat distribution</b>			
Insert / heat accumulator	%	50 / -	-
Glass pane (single / double)	%	50 / -	-
<b>Cross-section of gratings <sup>1)</sup></b>			
Convection air	cm <sup>2</sup>	700 / 100 / -	-
Supply air	cm <sup>2</sup>	700 / 100 / -	-
<b>Minimal oven surface for closed construction type</b>			
Heat dissipating surface	m <sup>2</sup>	4	-
<b>Min. distances of fireplace without / with convection casing</b>			
to insulation layer	cm	8 / 3	8 / 3
to mounting floor	cm	2 / 2	2 / 2
<b>Thermal insulation without / with air gratings <sup>2)</sup></b>			
Mounting wall	cm	18 / 14	18 / 14
Floor	cm	4 / 2	4 / 2
Ceiling	cm	22 / 16	22 / 16
Brick lining for combustible wall	cm	10	10
<b>Weight</b>			
Fireplace / combustion chamber	kg	190 / 75	
<b>Meets requirement/limit values for:</b>			
Germany/ Austria / Suisse / Norway		1.BImSchV (Stufe 2) / 15a BVG (2015) / LRV / NS 3059	

1) for fireplace inserts / flue gas pipe / metallic reheating surface

2) Values determined with upper air sections; stove cladding is heat emitting.

Ulrich Brunner GmbH  
Zellhuber Ring 17 - 18  
D-84307 Eggenfeldern  
Telefonat: +49 / (0)87 21 / 7 71-0  
Telefax: +49 / (0)87 21 / 7 71-100  
info@brunner.de | www.brunner.de

**BRUNNER**®  
*made in germany.*