

FIREPLACE INSERTS FROM BRUNNER



Stil-Tunnel 62/76

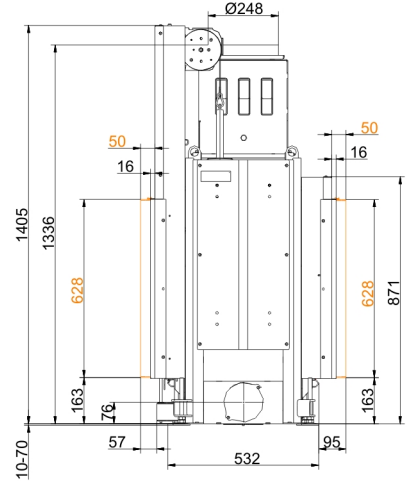
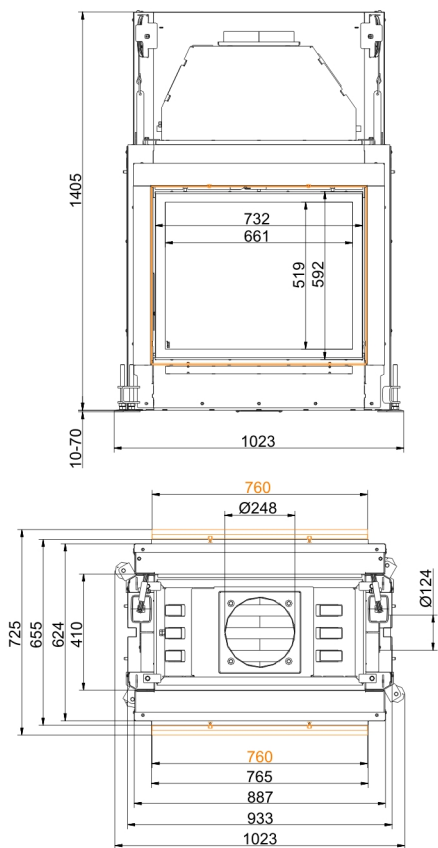
lifting door (easy-lift)

State: 2018-04-30

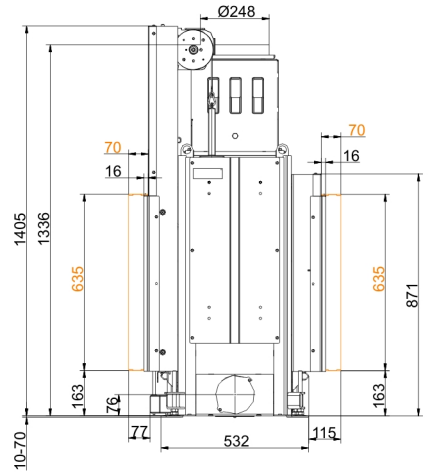
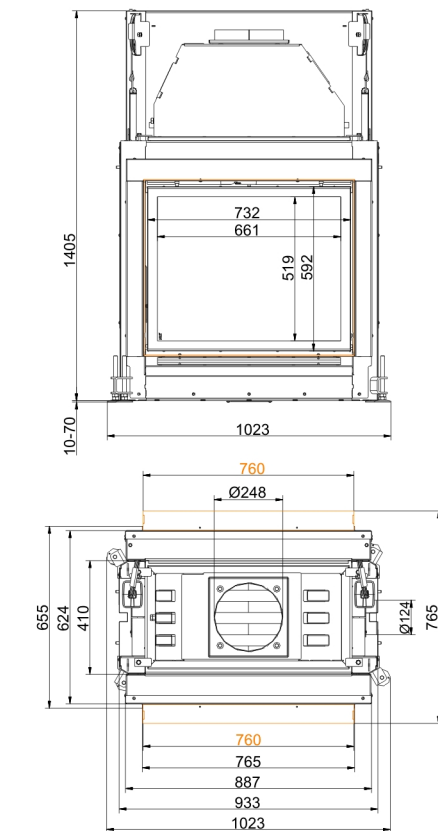


BRUNNER[®]
made in germany.

Dimension sheets - Stil-Tunnel 62/76 lifting door (easy-lift)

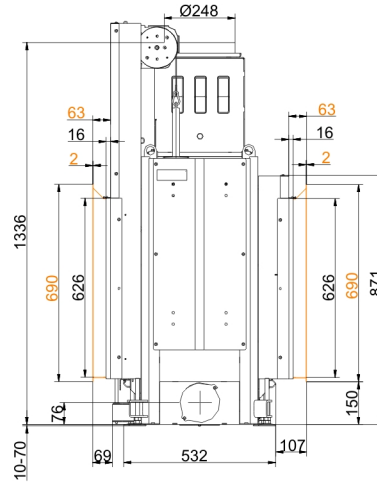
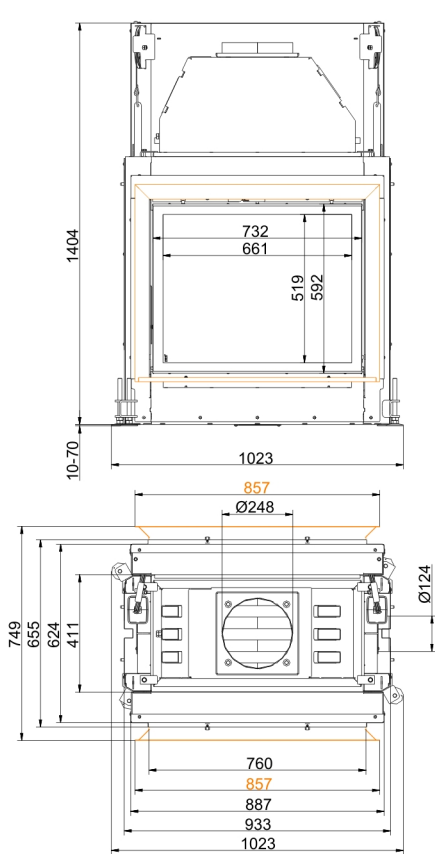


... /tilting door with mounting frame 50 mm

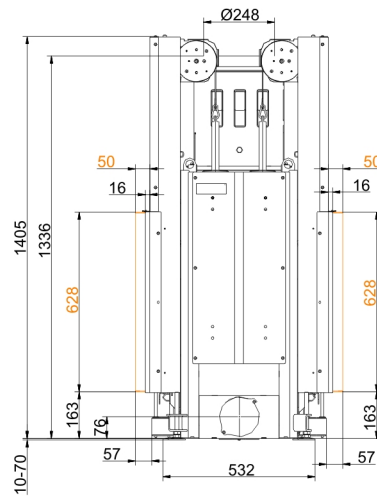
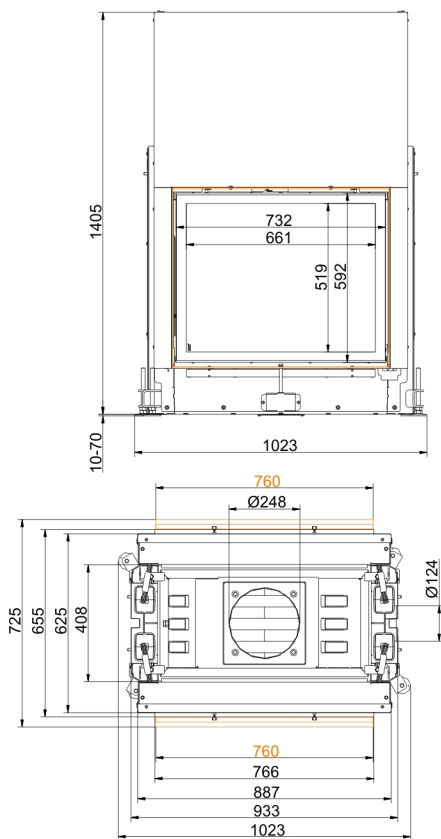


... /tilting door with mounting frame 70 mm

Dimension sheets - Stil-Tunnel 62/76 lifting door (easy-lift)

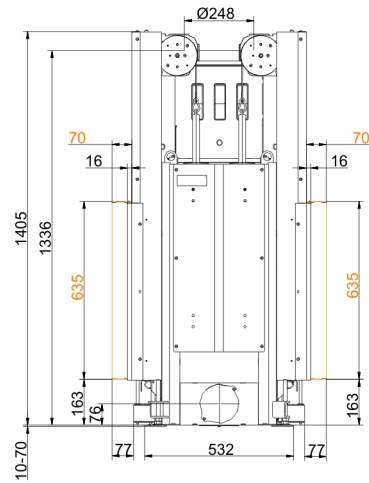
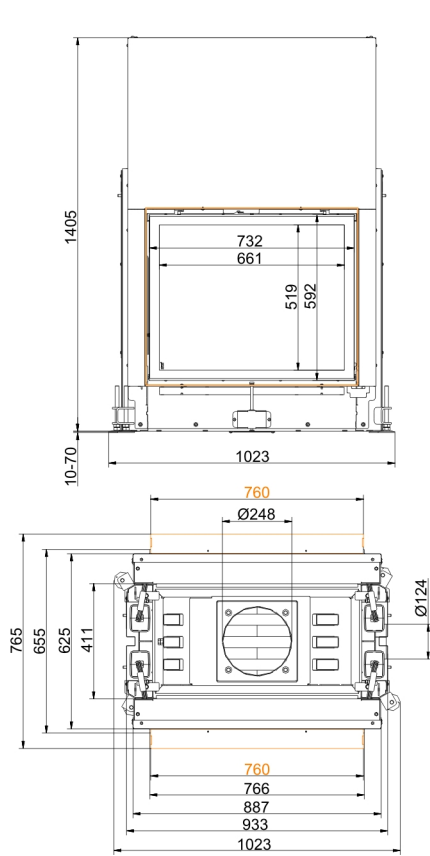


... /tilting door with door frame

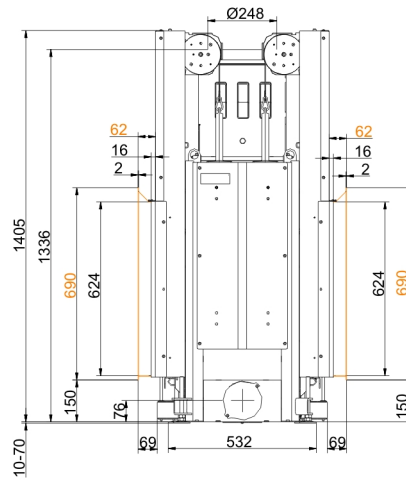
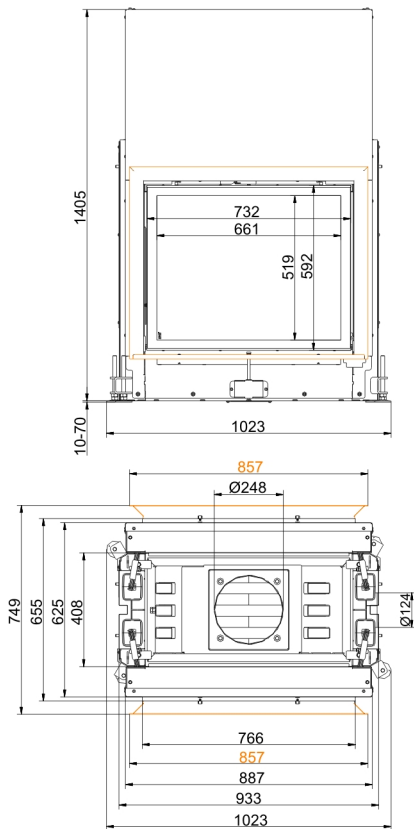


... with mounting frame 50 mm

Dimension sheets - Stil-Tunnel 62/76 lifting door (easy-lift)

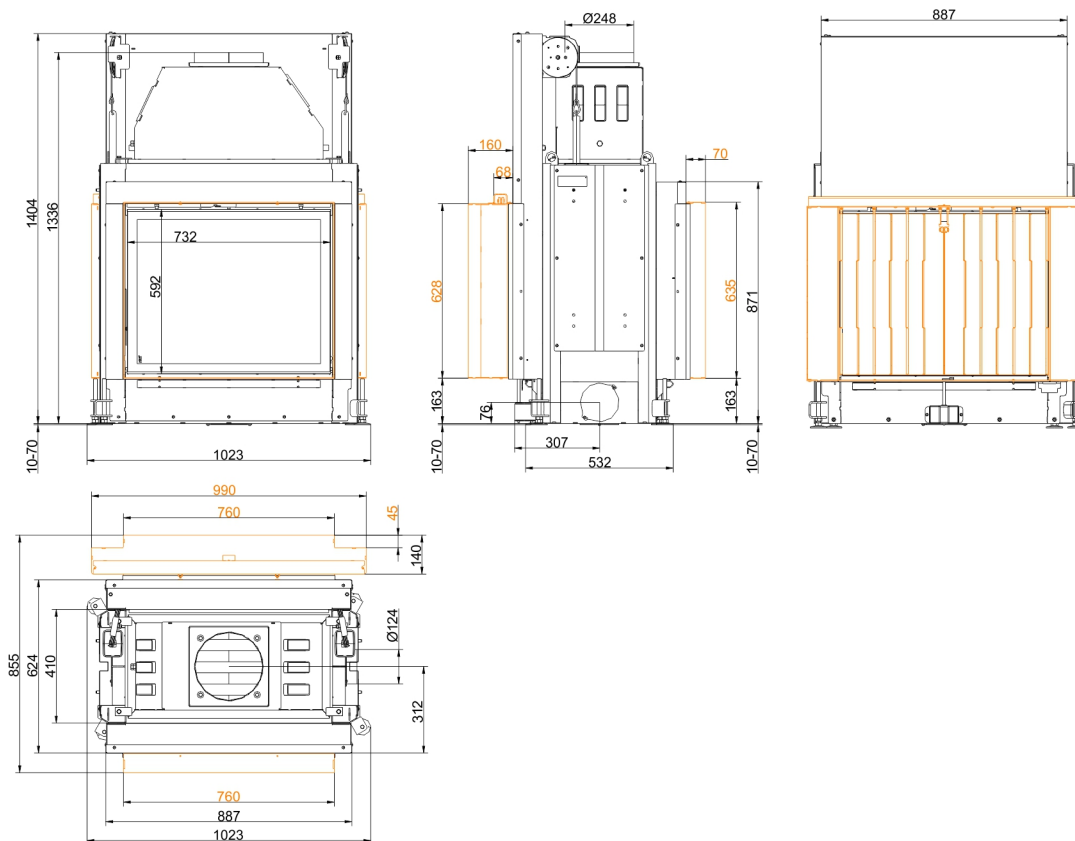


... with mounting frame 70 mm



... with door frame

Dimension sheets - Stil-Tunnel 62/76 lifting door (easy-lift)



... with heatSTOP®

We suggest for CAD planing Palette CAD. Permanent updated drawings: www.brunner.de
 Frames / front versions are marked colored.

Planning and installation - Stil-Tunnel 62/76 lifting door (easy-lift)

Tested according to		EN 13229 W	EN 13229 W
Values measured at		Rated capacity	Open ¹⁾
Suitable for all construction types according to rules		OK	OK
EEl		105.7	105.7
Data for functional demonstration			
Rated heat power	kW	11	-
Fire wood volume	kg/h	3.2	3
Combustion performance	kW	13	13
Flue gas mass flow	g/s	10	70
Flue gas temperature after:			
attached steel smoke hood	°C	180	120
Necessary supply pressure	Pa	13	6
Combustion air consumption	m ³ /h	35	180
Combustion air connection Ø	mm	125	-
Heat distribution			
Insert / heat accumulator	%	50 / -	-
Glass pane (single / double)	%	50 / -	-
Cross-section of gratings ²⁾			
Convection air	cm ²	700 / 100 / -	-
Supply air	cm ²	700 / 100 / -	-
Minimal oven surface for closed construction type			
Heat dissipating surface	m ²	4	-
Minimal distances of the fireplace			
to insulation layer	cm	8	8
to mounting floor	cm	2	2
Thermal insulation without / with air gratings ³⁾			
Mounting wall	cm	18 / 14	18 / 14
Floor	cm	4 / 2	4 / 2
Ceiling	cm	22 / 16	22 / 16
Brick lining for combustible wall	cm	10	10
Weight			
Fireplace / combustion chamber	kg	203 / 69	
Meets requirement/limit values for:			
Germany/ Austria / Suisse / Norway		1.BImSchV (Stufe 2) / 15a BvG (2015) / LRV / -	

1) Limited to one side opening

2) for fireplace inserts / flue gas pipe / metallic reheating surface

3) Values determined with upper air sections; stove cladding is heat emitting.

Ulrich Brunner GmbH
 Zellhuber Ring 17 - 18
 D-84307 Eggenfeldern
 Telefonat: +49 / (0)87 21 / 7 71-0
 Telefax: +49 / (0)87 21 / 7 71-100
 info@brunner.de | www.brunner.de

BRUNNER®
made in germany.